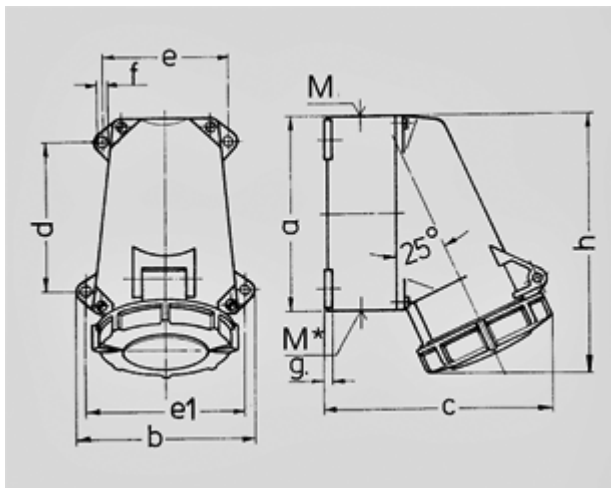


Wall mounted receptacle - Part no. 1200


- screw terminals
- four external fixing holes
- one cable entry at top and one blind cable entry (can be cut out) at bottom
- receptacles are designed for adding an auxiliary contact switch

| | |
|-----------------------|-----------------|
| Protection type | IP 67 |
| Ampere | 16A |
| Poles | 5p |
| Voltage | 400V |
| Hertz | 50-60Hz |
| Earth position | 6h |
| Contact | standard |
| Connection technology | Screw terminals |

Std. Pack. 10 Qty.



| Drawing | Amp. | 16 | | | 32 | | |
|---|------|-----------------------|------|------|---------------|------|------|
| | | Poles | | | Poles | | |
| 1 MB 219 | | 3 | 4 | 5 | 3 | 4 | 5 |
| Dim. in mm | a | 95 | 95 | 95 | 120 | 120 | 120 |
| | b | 102 | 102 | 102 | 112 | 112 | 112 |
| | c | 115 | 124 | 129 | 143 | 143 | 150 |
| | d | 64,2 | 64,2 | 64,2 | 90,2 | 90,2 | 90,2 |
| | e | 77,5 | 77,5 | 77,5 | 79 | 79 | 79 |
| | e1 | 88 | 88 | 88 | 98,5 | 98,5 | 98,5 |
| | f | 5,5 | 5,5 | 5,5 | 5,5 | 5,5 | 5,5 |
| | g | 5 | 5 | 5 | 5 | 5 | 5 |
| | h | 128 | 128 | 132 | 160 | 160 | 160 |
| | M | 25 | 25 | 25 | 32 | 32 | 32 |
| | M* | 25 | 25 | 25 | M32 (blind) | | |
| | | (blind) to be cut out | | | to be cut out | | |
| Max. cable diam. (mm) | | 15 | 18 | 18 | 25 | 25 | 25 |
| Terminal for cond. cross section (mm ²) min.-max. | | 1,5 | 1,5 | 1,5 | 2,5 | 2,5 | 2,5 |
| | | -4 | -4 | -4 | -10 | -10 | -10 |