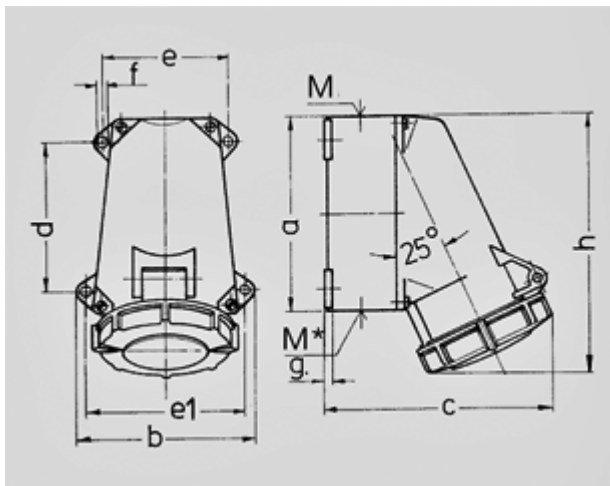


**Wall mounted receptacle - Part no. 1202**


- screw terminals
- four external fixing holes
- one cable entry at top and one blind cable entry (can be cut out) at bottom
- receptacles are designed for adding an auxiliary contact switch

Protection type	IP 67
Ampere	32A
Poles	3p
Voltage	230V
Hertz	50-60Hz
Earth position	6h
Contact	standard
Connection technology	Screw terminals

Std. Pack. 10 Qty.



Drawing	Amp.	16			32		
		3	4	5	3	4	5
<b>1 MB 219</b>	<b>Poles</b>						
<b>Dim. in mm</b>	<b>a</b>	95	95	95	120	120	120
	<b>b</b>	102	102	102	112	112	112
	<b>c</b>	115	124	129	143	143	150
	<b>d</b>	64,2	64,2	64,2	90,2	90,2	90,2
	<b>e</b>	77,5	77,5	77,5	79	79	79
	<b>e1</b>	88	88	88	98,5	98,5	98,5
	<b>f</b>	5,5	5,5	5,5	5,5	5,5	5,5
	<b>g</b>	5	5	5	5	5	5
	<b>h</b>	128	128	132	160	160	160
	<b>M</b>	25	25	25	32	32	32
	<b>M*</b>	25	25	25	M32 (blind)		
		(blind) to be cut out			to be cut out		
<b>Max. cable diam. (mm)</b>		15	18	18	25	25	25
<b>Terminal for cond. cross section (mm<sup>2</sup>) min.-max.</b>		1,5	1,5	1,5	2,5	2,5	2,5
		-4	-4	-4	-10	-10	-10